

MST

MAX SPEED TECHNOLOGY



EMX

OFF ROAD RTR

1/10 RC 4WD HIGH PERFORMANCE OFF ROAD CAR

WWW.RC-MST.COM

*SPECIFICATION ARE SUBJECT TO CHANGE WITHOUT NOTICE

EXPLODED MANUAL

WHEELBASE : 242 / 252 / 267mm
WIDTH : 195mm
GEAR RATIO = 1:19~ 1:42.6
TIRE WIDTH / DIAMETER : 30x90mm

CMX OFF ROAD RTR

1/10 RC 4WD HIGH PERFORMANCE OFF ROAD CAR



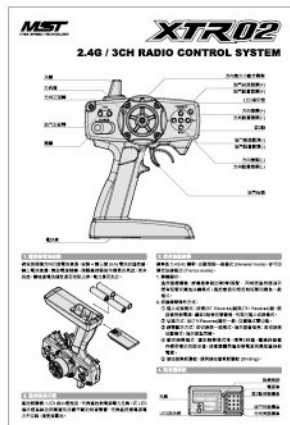
Appreciate for your choice of CMX RTR! You will be impressed with its performance and beauty. Please prepare additional parts as car battery, transmitter battery, and charger. Please follow the process for assemble and setting of parts package. If you have doubt or need assistance, please contact the purchased shop or hobby shop for help, many thanks! 首先感謝你購入 CMX RTR 這項產品，您將擁有一部兼具性能與美型的攀岩車。在首次操作前，有以下幾項須要另行購置的物件；車用電池、遙控器用電池、充電器。備妥上述物件後，請進行零件包安裝與設定。如需其他協助，請向原購買店家，或遙控模型店詢問！謝謝！

PLEASE FOLLOW BELOW OPERATIONS BEFORE ASSEMBLING THE PARTS PACKAGE. 請於安裝零件包之前，執行以下操作



- | | |
|-------------------------------------|-----------------|
| ❶ Install transmitter batteries. | ❶ 安裝遙控器電池 |
| ❷ Loosen receiver antenna. | ❷ 鬆開接收機天線 |
| ❸ Connector ESC and battery. | ❸ 聯結車用電池與電子變速器 |
| ❹ Switch on the transmitter. | ❹ 打開遙控器電源 |
| ❺ Trims the transmitter in neutral. | ❺ 調整遙控器各微調器至中立點 |
| ❻ Switch on the ESC. | ❻ 打開電子變速器電源 |
| ❼ Completed. | ❼ 完成 |

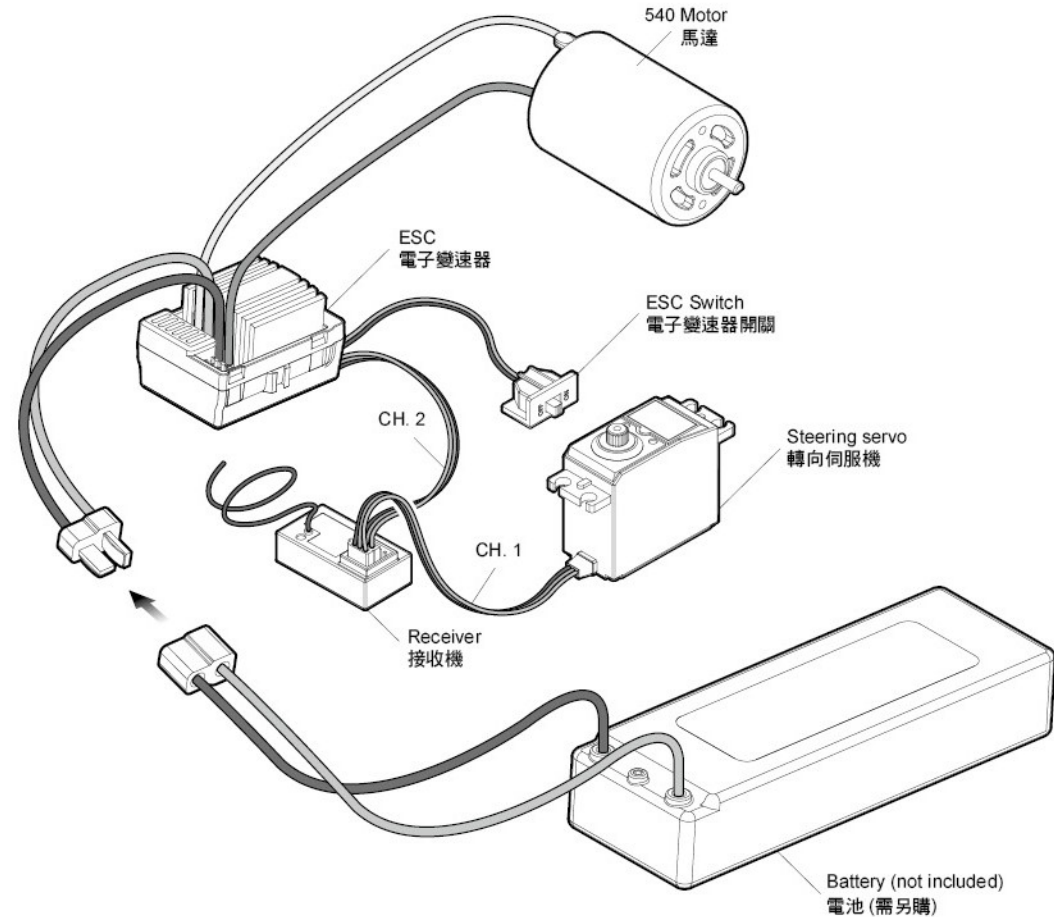
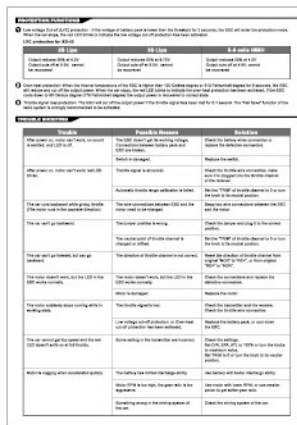
※ Please play this product in opening or safety area. 請於空曠或安全無虞的場所，使用本項產品。



※ Please refer to instruction of transmitter & receiver performance. 遙控器&接收機功能說明請參閱詳細說明書。



※ Please refer to instruction of ESC performance. 電子變速器功能說明請參閱詳細說明書。



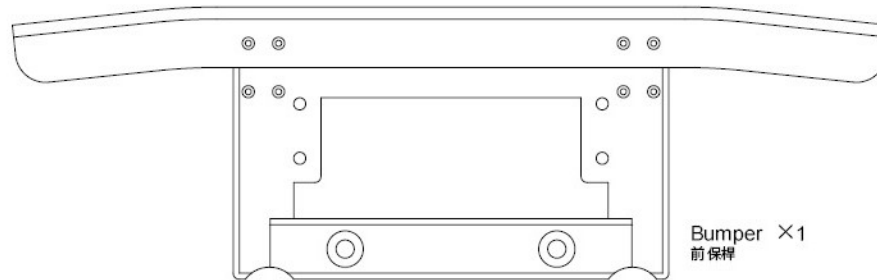
FACTORY ELECTRONIC SETTING
原廠電裝配線圖

◀ BUMPER

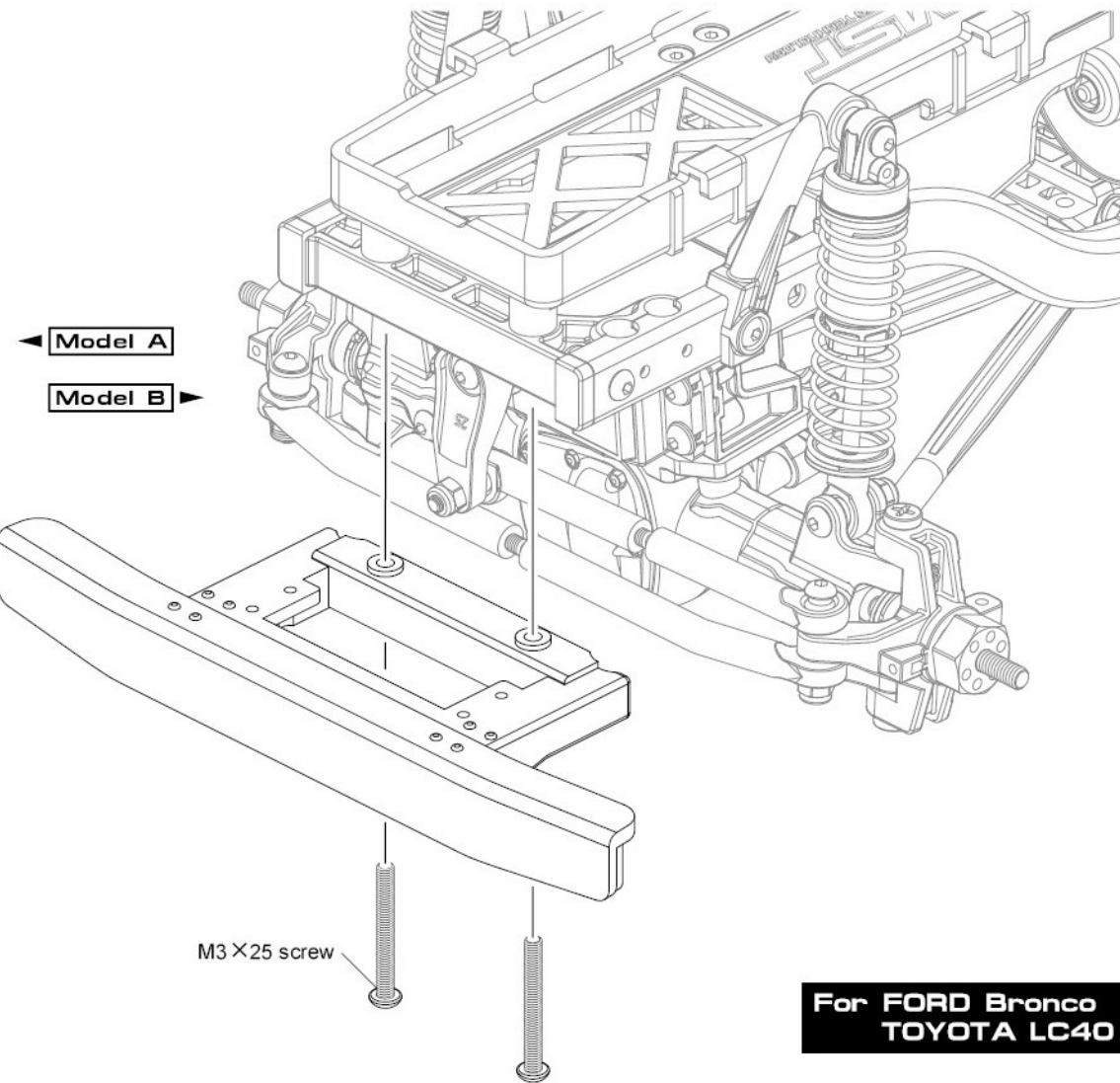
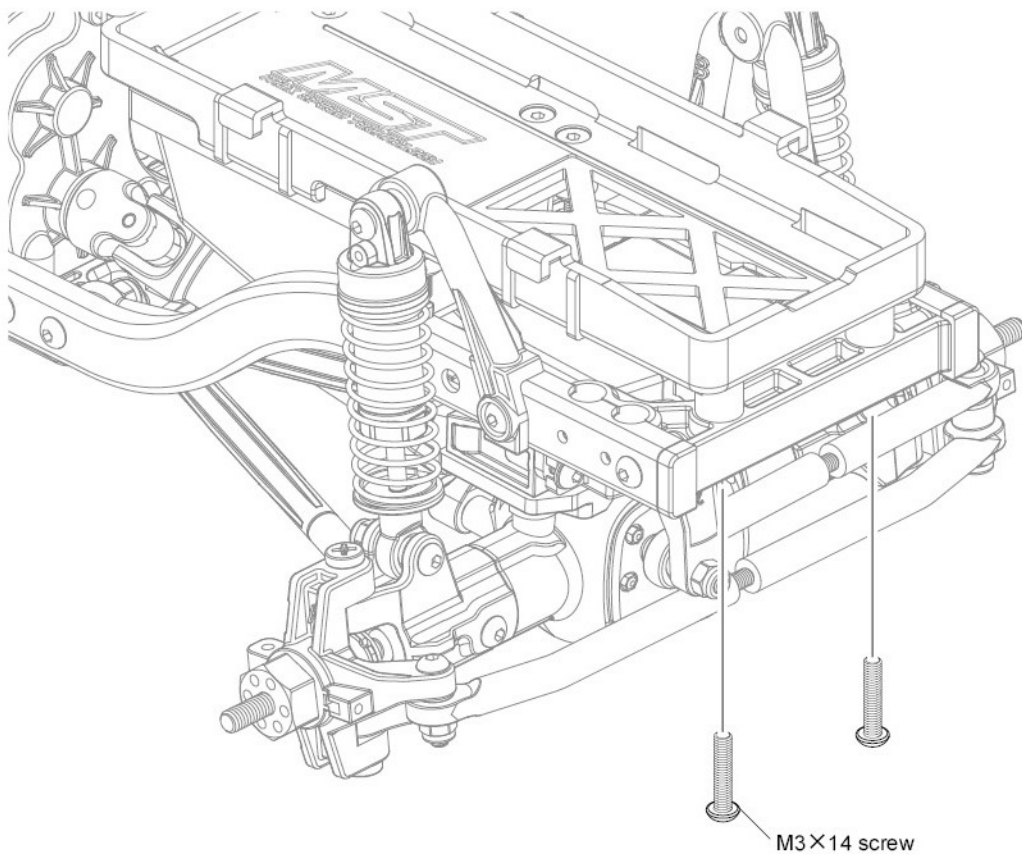
前保桿

M3×14 screw ×2
圓頭螺絲

M3×25 screw ×2
圓頭螺絲



STEP 1 Attaching bumper
安裝前保桿



For M-BENZ Unimog 406
TOYOTA FJ

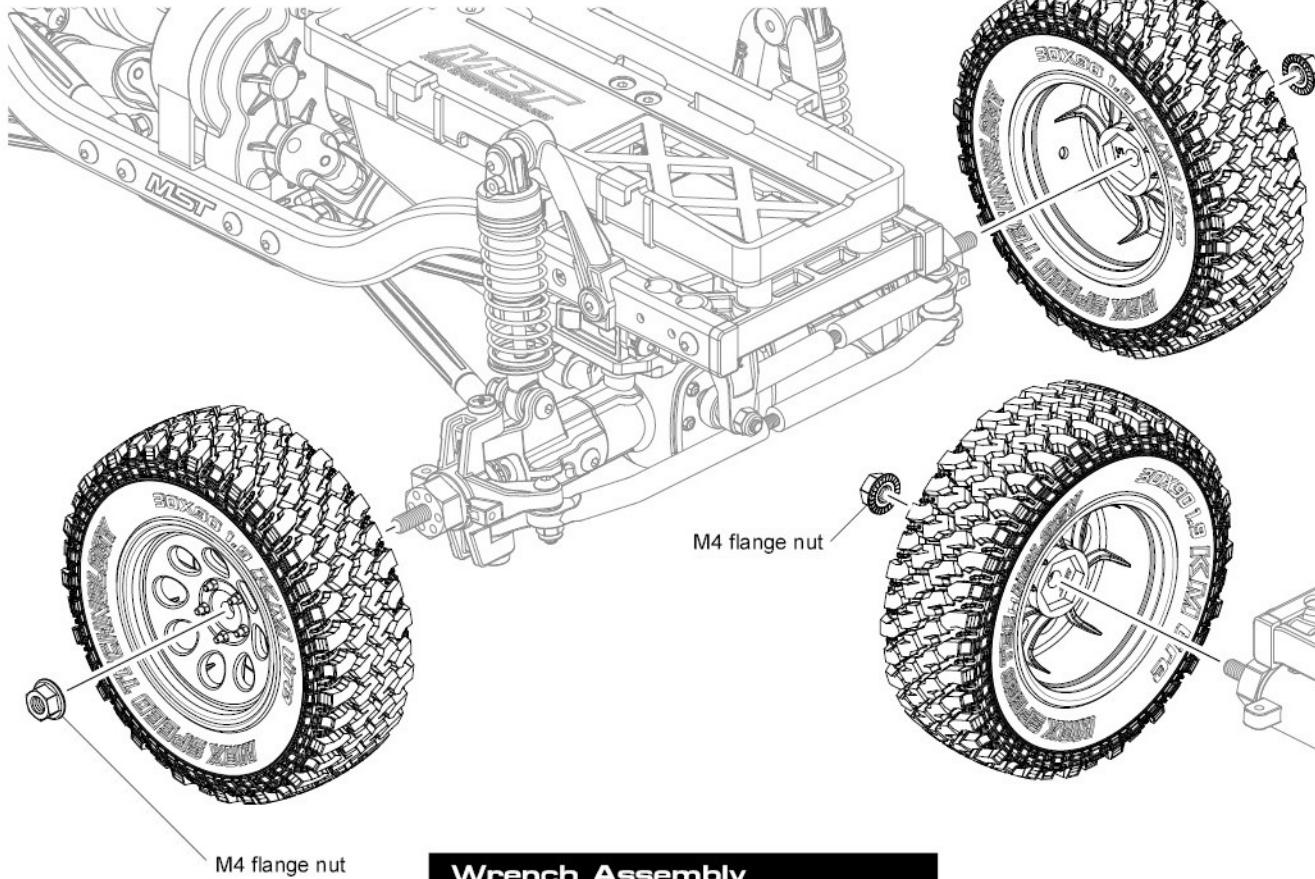
For FORD Bronco
TOYOTA LC40

WHEELS
輪胎

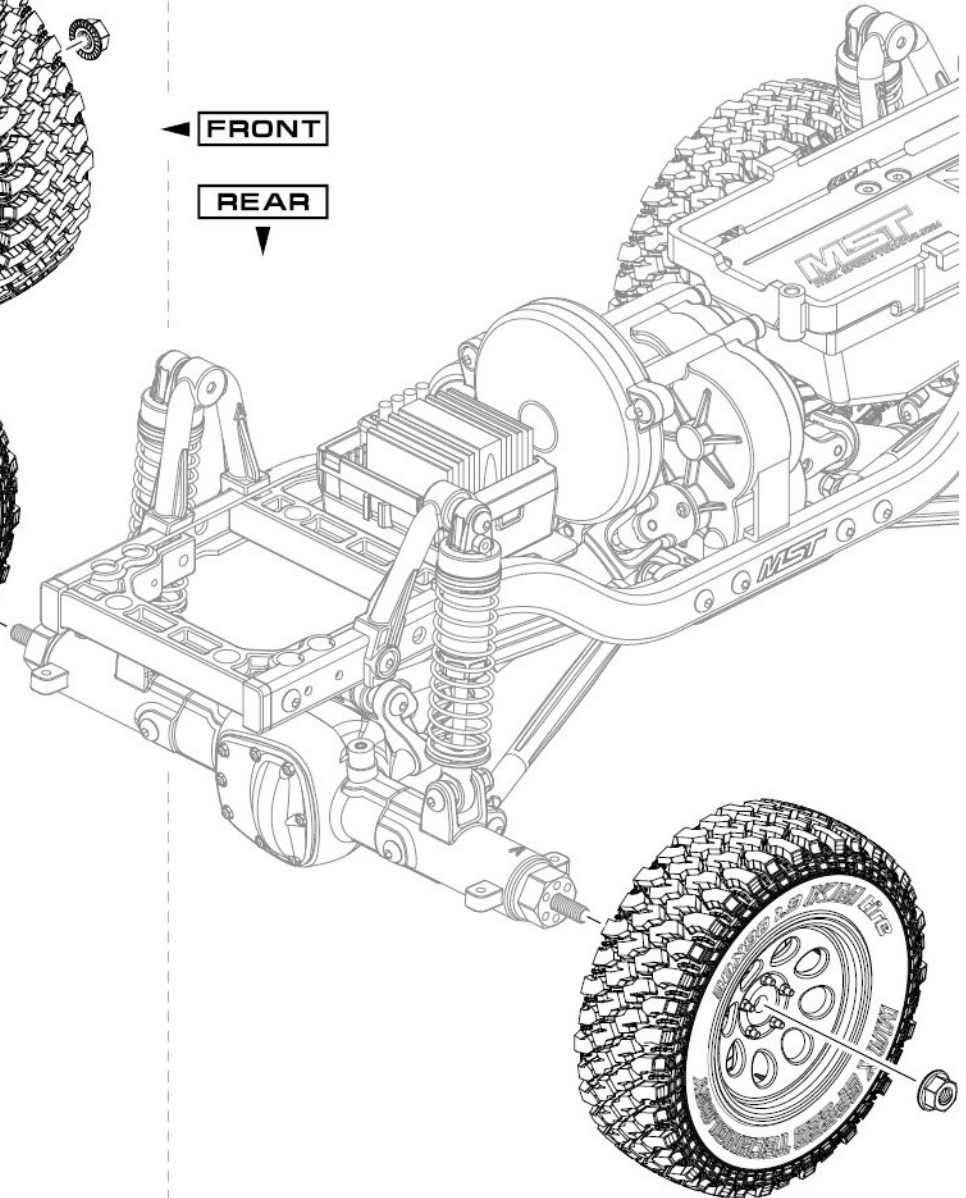


M4 flange nut ×4
凸緣螺帽

STEP 1 Attaching front wheels
安裝前輪



STEP 2 Attaching rear wheels
安裝後輪



Wrench Assembly

3×35 Pin

Alum. wrench

M3×3

◀ BODY MOUNTS

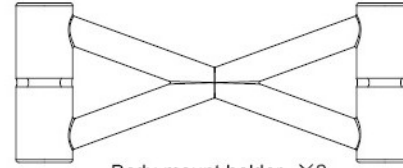
車殼固定座



Body mount extension ×2
車殼延伸柱



Body mount ×4
車殼支柱



Body mount holder ×2
車殼支柱連接架



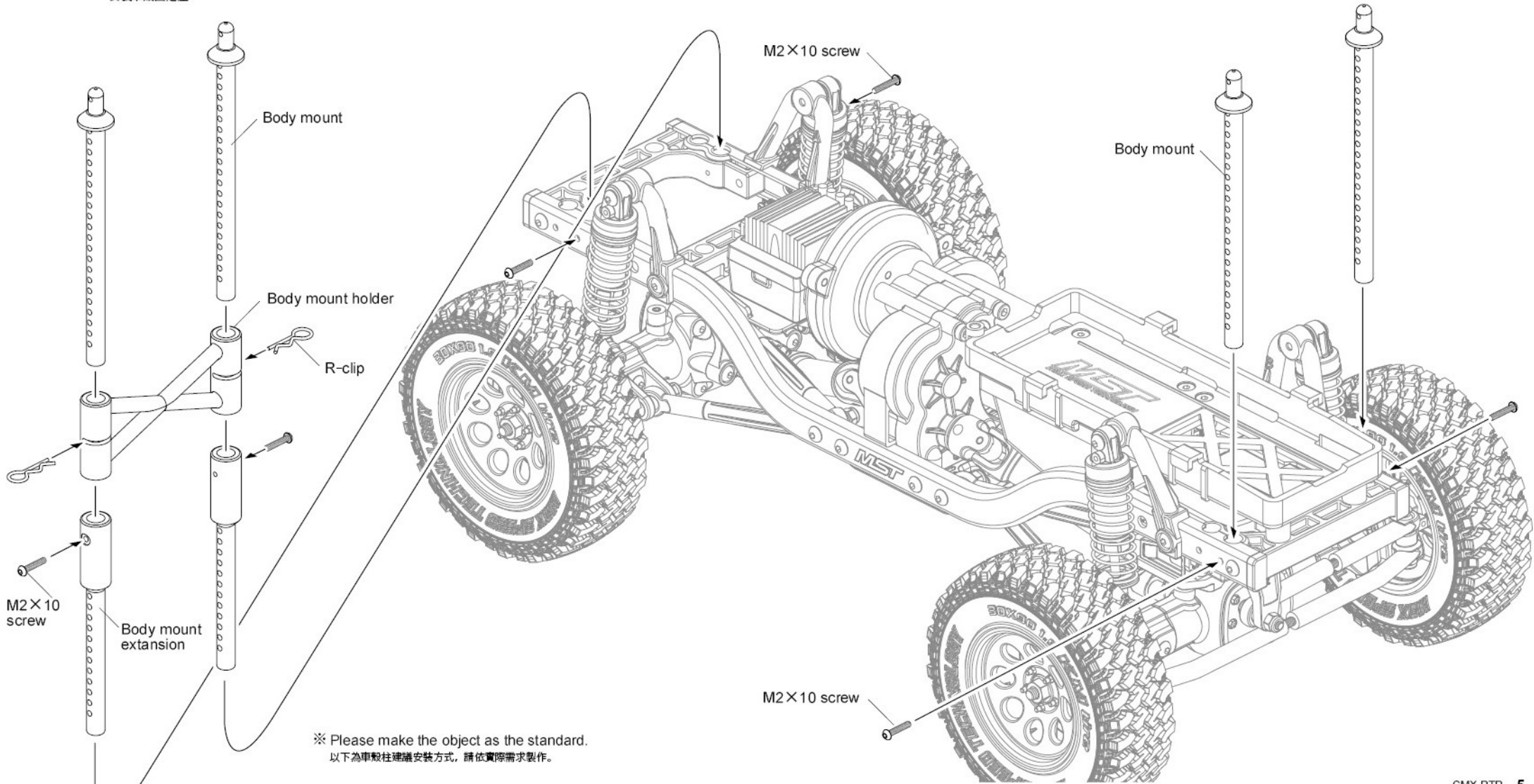
R-clip ×5
R形扣



M2×10 Screw ×6
圓頭螺絲

STEP 1 Attaching body mounts For FORD Bronco, M-BENZ Unimog 406, TOYOTA FJ

安裝車殼固定座

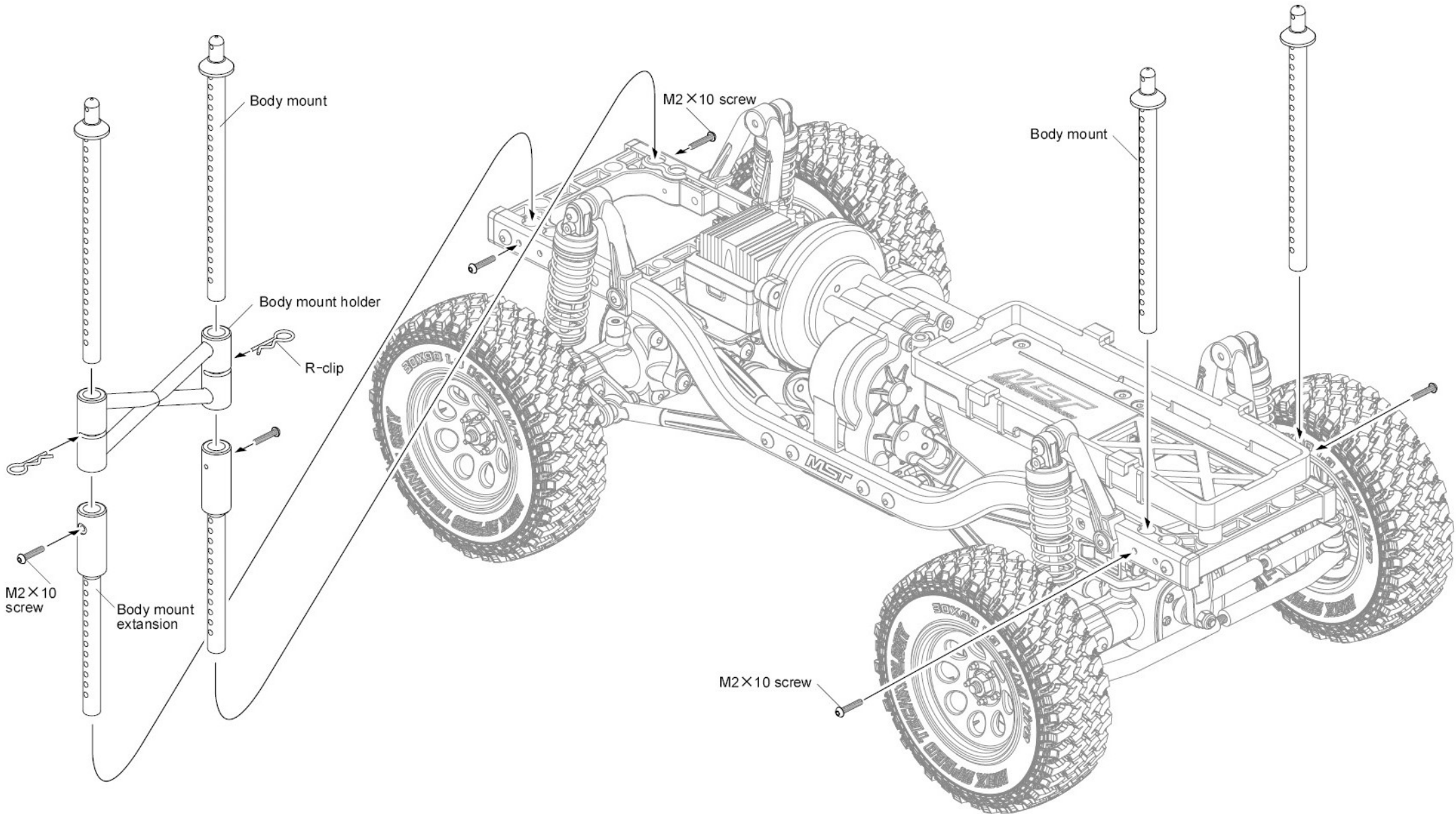


※ Please make the object as the standard.
以下為車殼柱建議安裝方式，請依實際需求製作。

STEP 1 Attaching body mounts

安裝車殼固定座

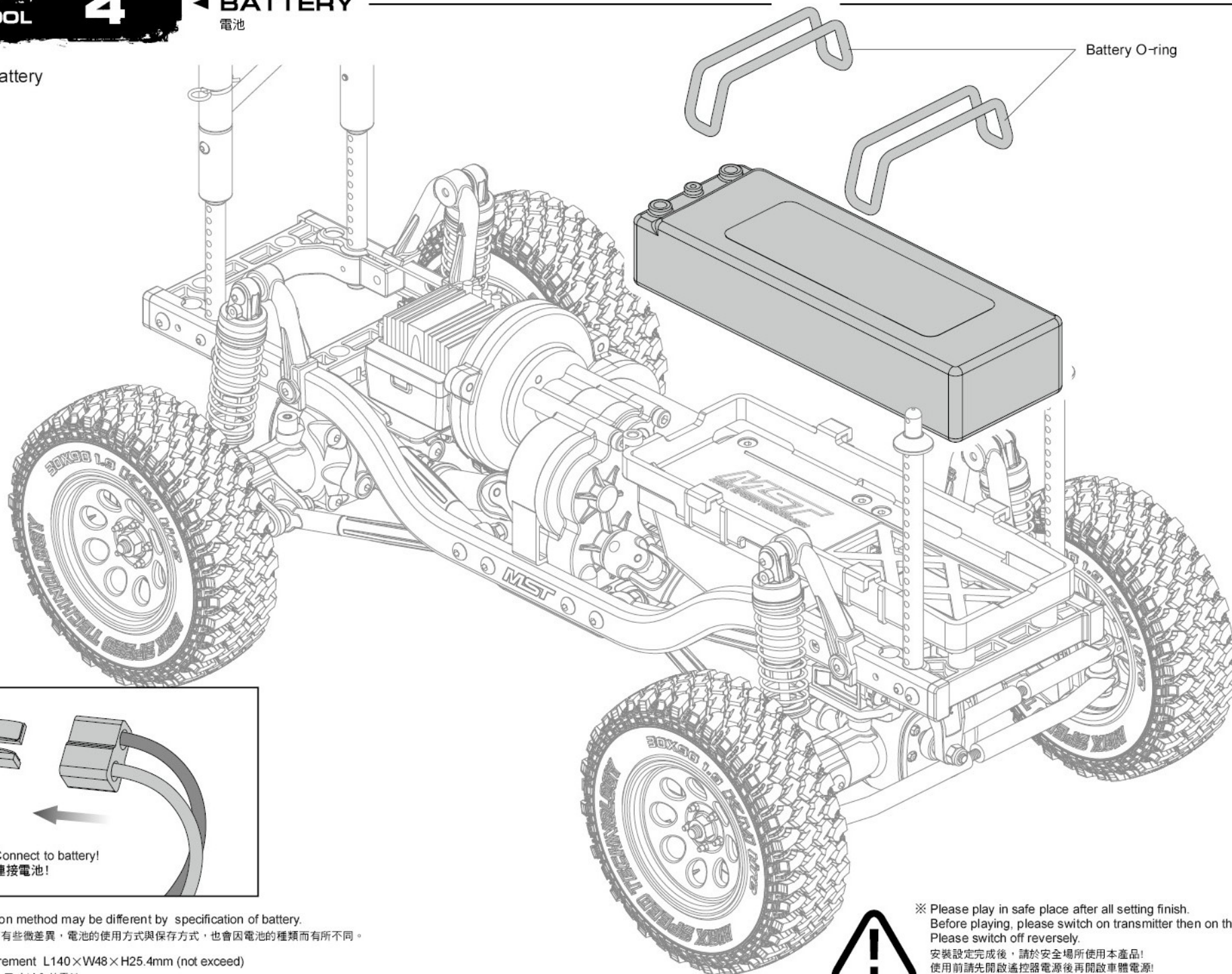
For TOYOTA LC40



※ Please make the object as the standard.
 以下為車殼柱建議安裝方式，請依實際需求製作。

◀ BATTERY

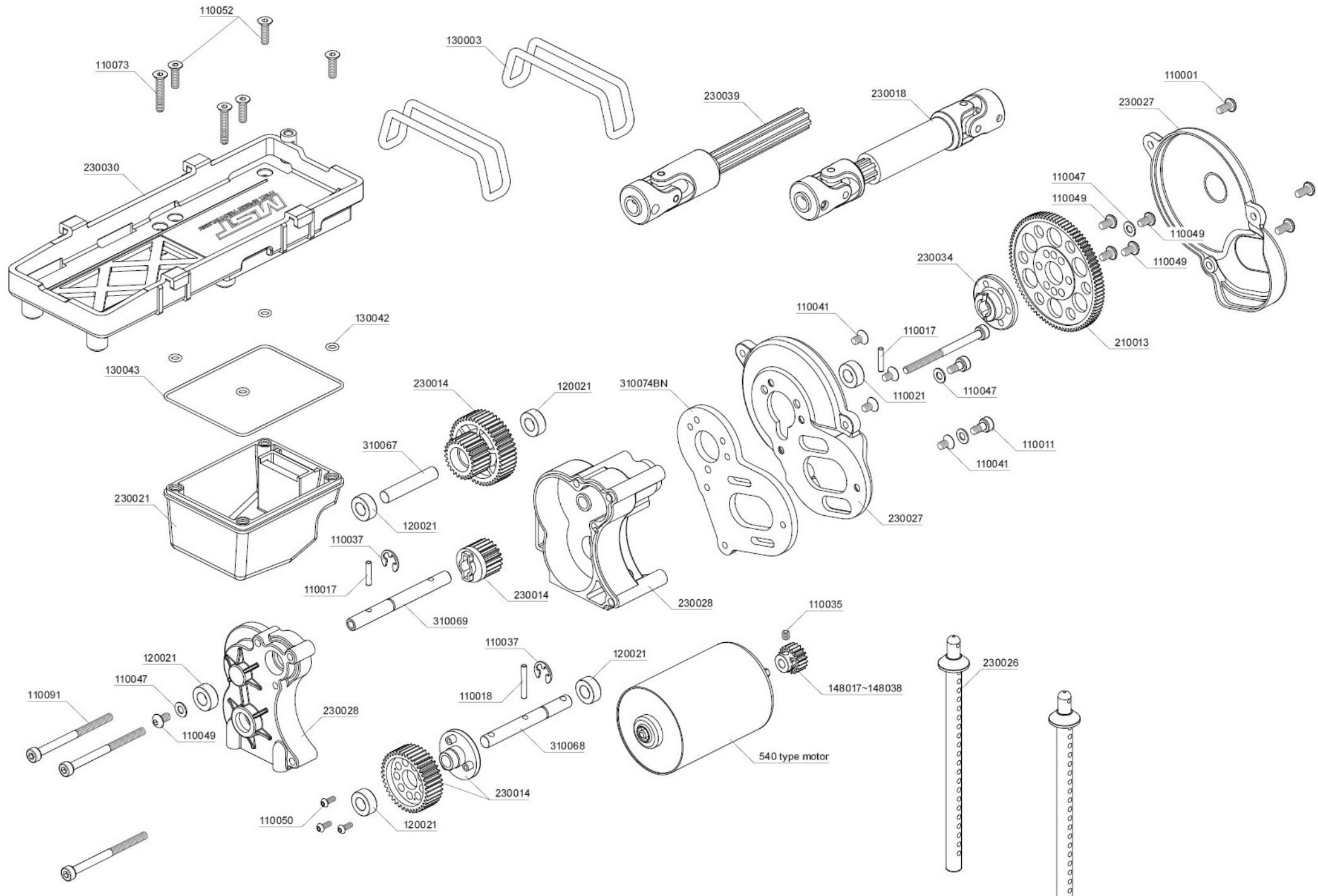
電池

STEP 1 Attaching battery
安裝電池

Connect to battery!
連接電池!

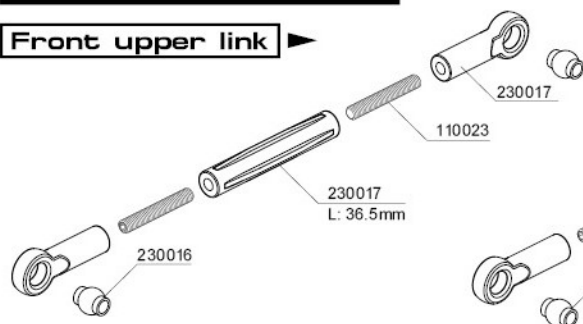
- ※ The assembly and conservation method may be different by specification of battery.
電池的安裝方式會因為廠牌規格而有些微差異，電池的使用方式與保存方式，也會因電池的種類而有所不同。
- ※ Recommended battery measurement L140×W48×H25.4mm (not exceed)
建議安裝長140×寬48×高25.4mm尺寸以內的電池。

- ※ Please play in safe place after all setting finish.
Before playing, please switch on transmitter then on the car.
Please switch off reversely.
安裝設定完成後，請於安全場所使用本產品！
使用前請先開啟遙控器電源後再開啟車體電源！
使用後請反向操作關閉！

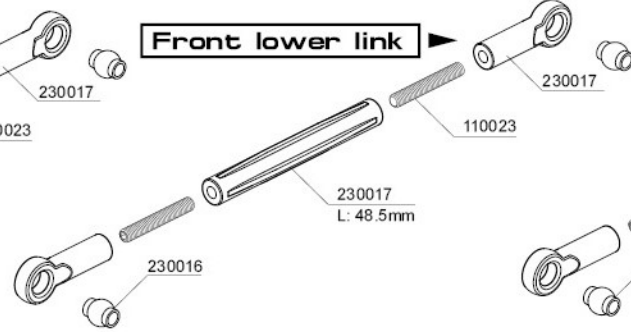


For 242mm wheelbase

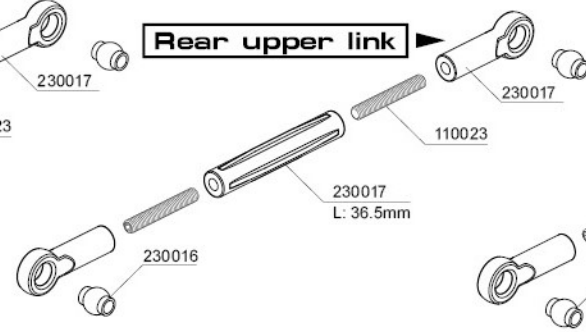
Front upper link



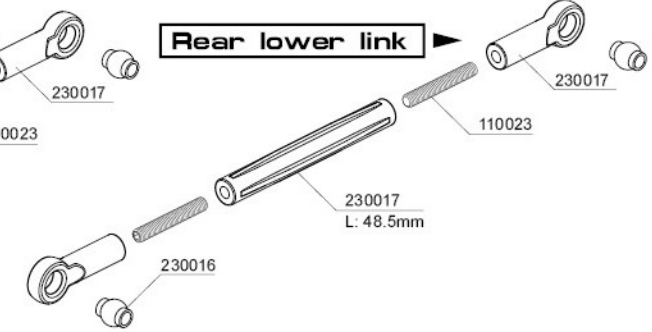
Front lower link



Rear upper link

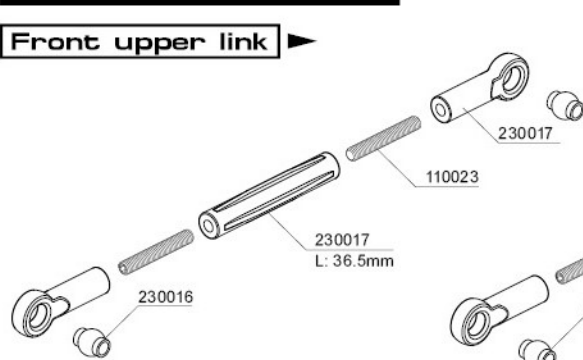


Rear lower link

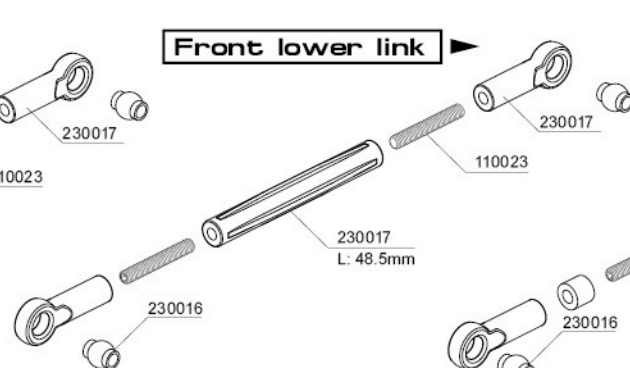


For 252mm wheelbase

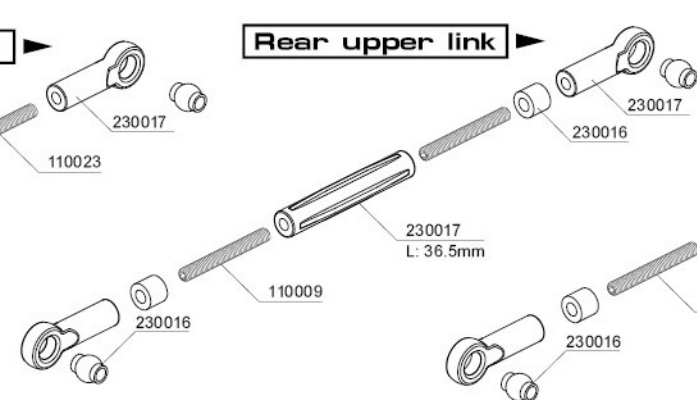
Front upper link



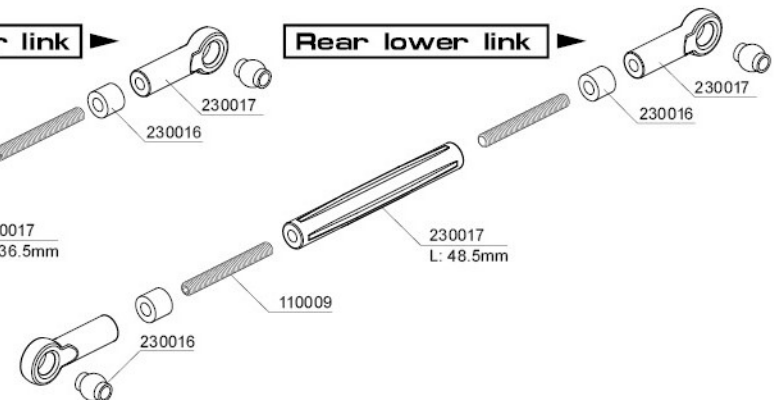
Front lower link



Rear upper link

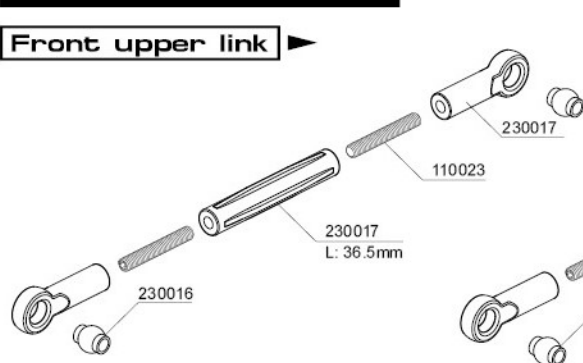


Rear lower link

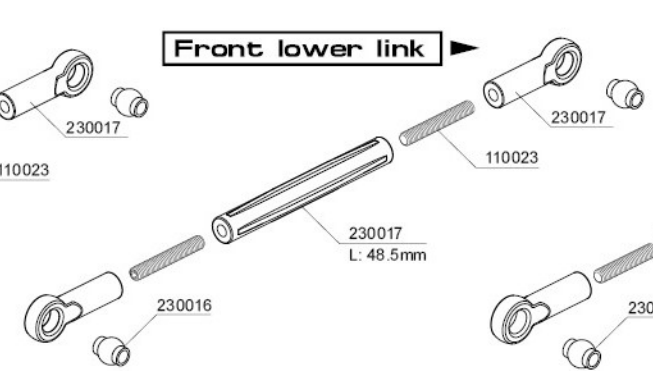


For 267mm wheelbase

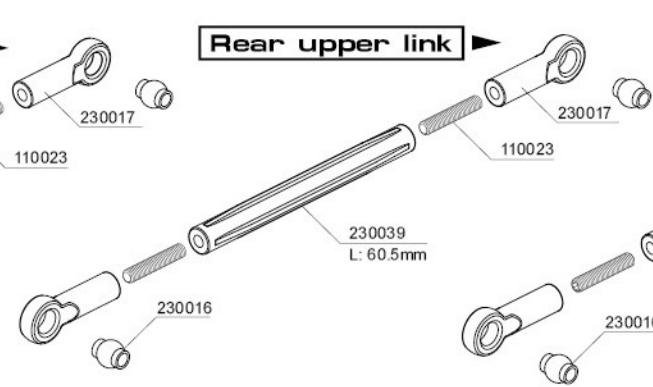
Front upper link



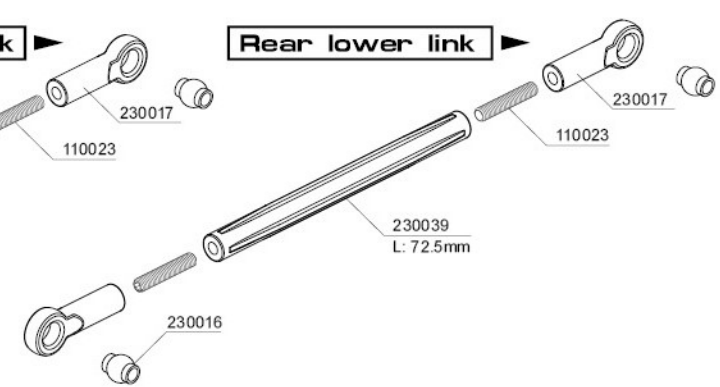
Front lower link

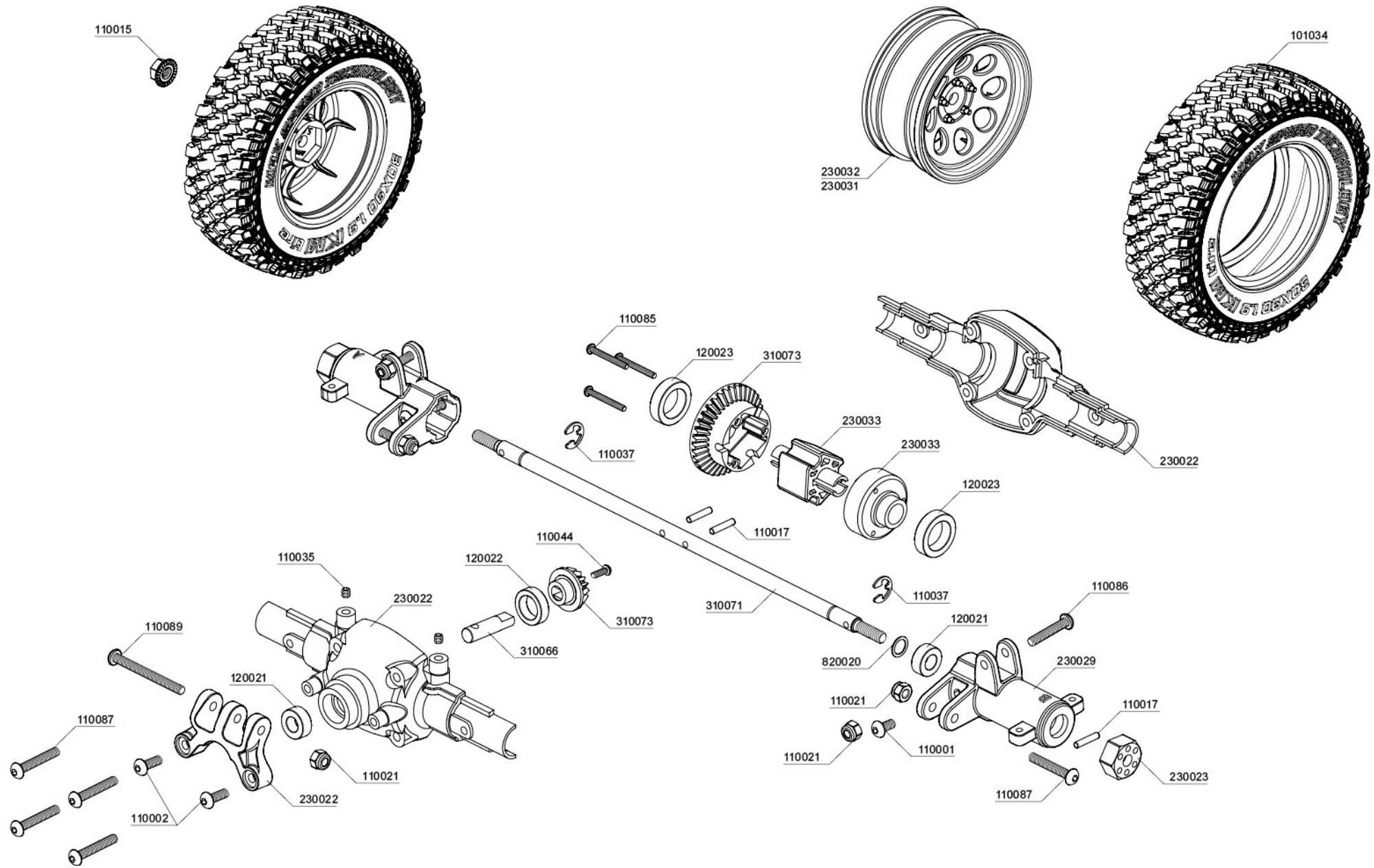


Rear upper link

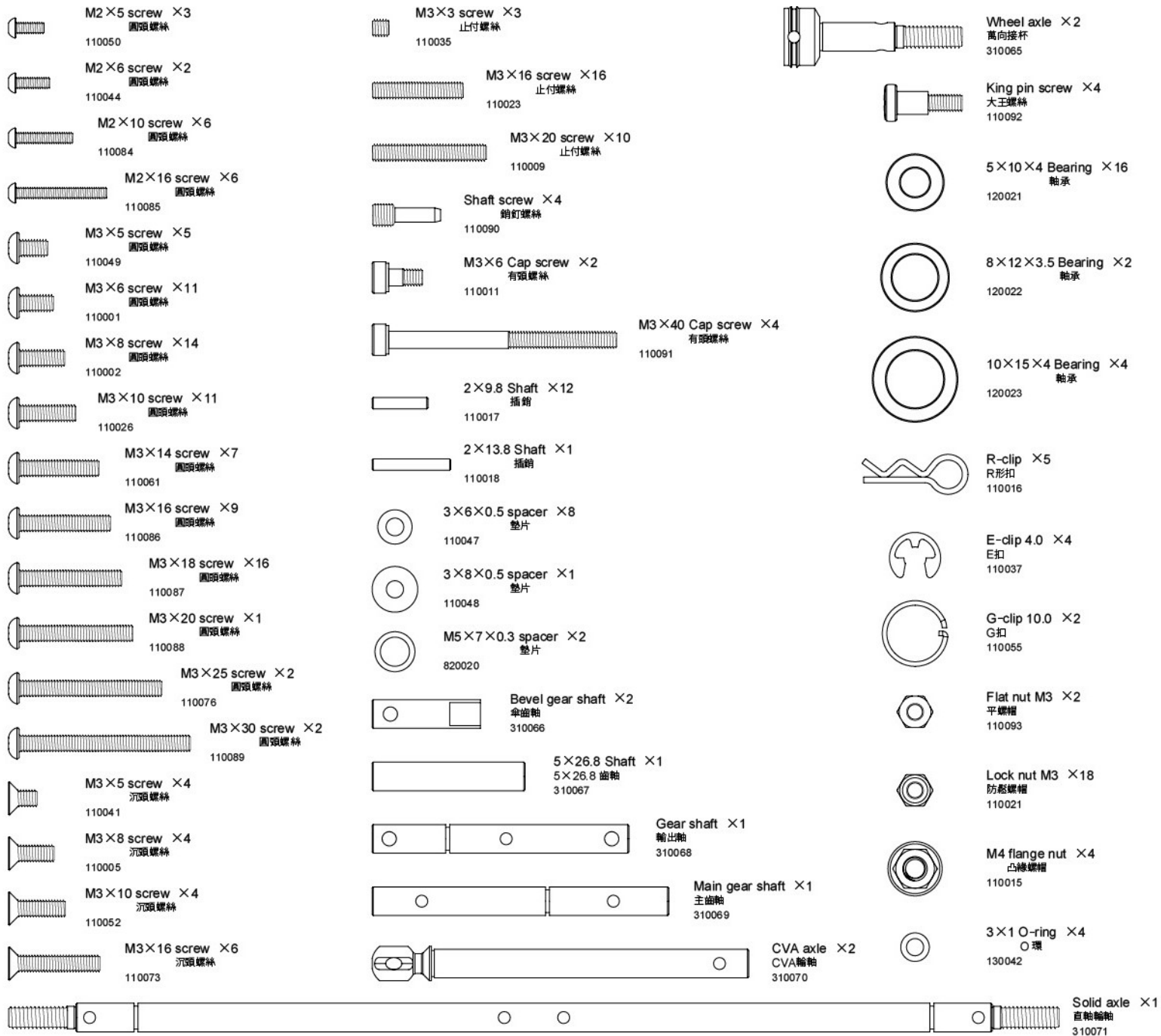


Rear lower link

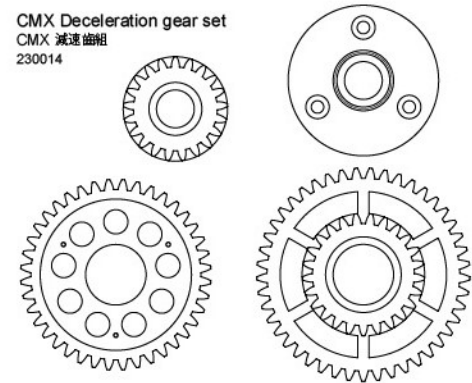




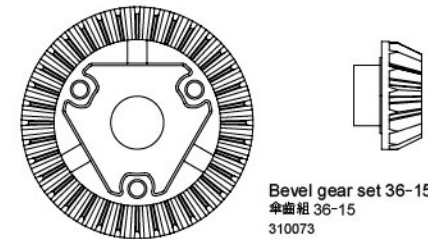
PARTS



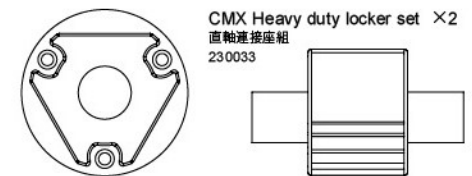
CMX Deceleration gear set
CMX 減速齒組
230014



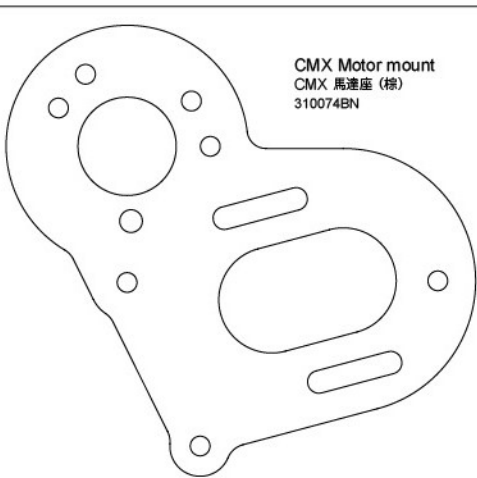
Bevel gear set 36-15 ×2
傘齒組 36-15
310073



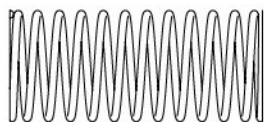
CMX Heavy duty locker set ×2
直軸連接座組
230033



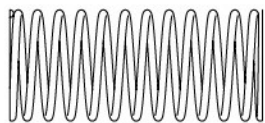
CMX Motor mount
CMX 馬達座 (標)
310074BN



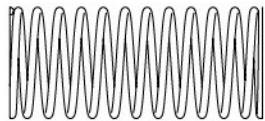
PARTS



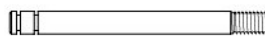
Coil spring 45mm (hard)(silver) ×4
避震彈簧 45mm (硬)(銀)
210529



Coil spring 45mm (medium)(gold) ×4
避震彈簧 45mm (中)(金)
210530



Coil spring 45mm (soft)(red) ×4
避震彈簧 45mm (軟)(紅)
210531



Piston rod ×4
避震軸心
310072



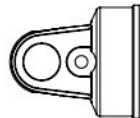
E-clip ×8
E扣
110013



Damper cylinder ×4
避震筒身
230015



Piston ×4
活塞
230015



Cylinder cap ×4
避震器上蓋
210057



Spring spacer ×4
彈簧調整扣 1mm
230015



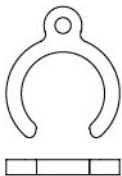
Rod guide cap ×4
避震器下蓋
210057



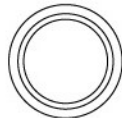
Spring spacer ×4
彈簧調整扣 2mm
230015



Damper retainer ×4
避震器彈簧座
230015



Spring spacer ×4
彈簧調整扣 4mm
230015



Spring holder ×4
彈簧托環
230015



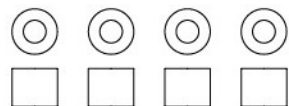
Damper adjuster ×4
避震器拉桿
230015



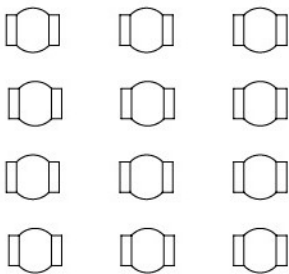
10.8×0.9 O-ring ×4
O環
130032



Damper O-ring P3 ×8
避震器O環
130001



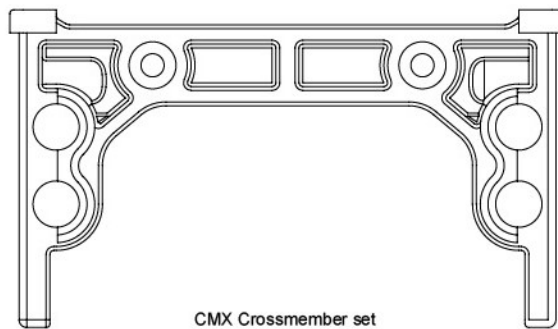
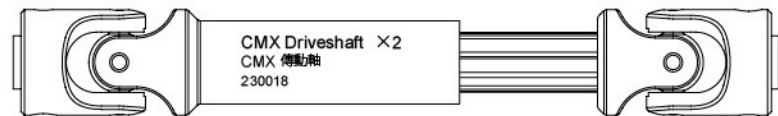
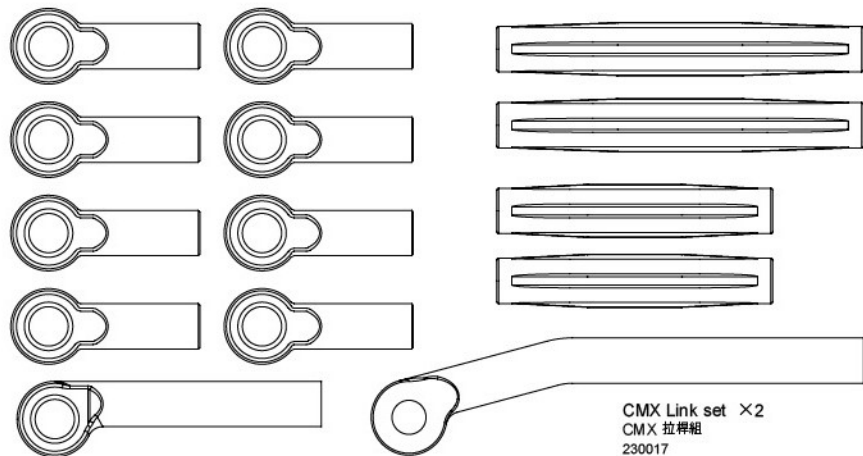
CMX Ball connector set ×2
CMX 球頭組
230016



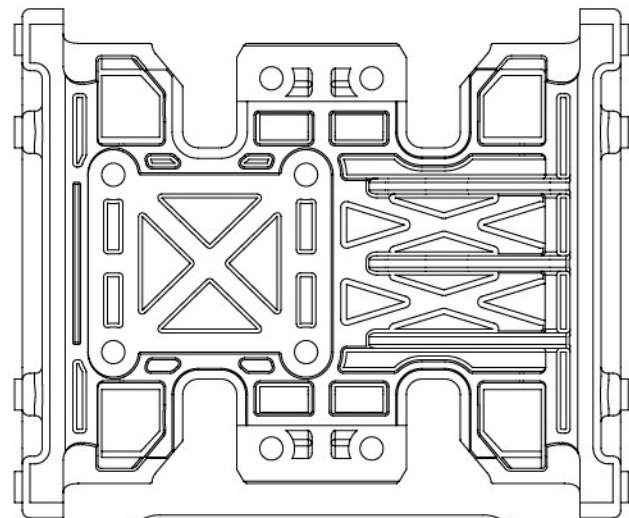
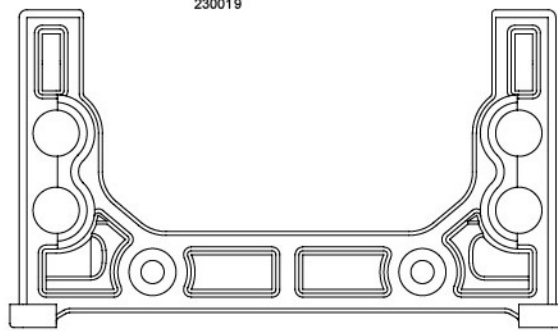
CMX Driveshaft ×2
CMX 傳動軸
230018



CMX Link set ×2
CMX 拉桿組
230017



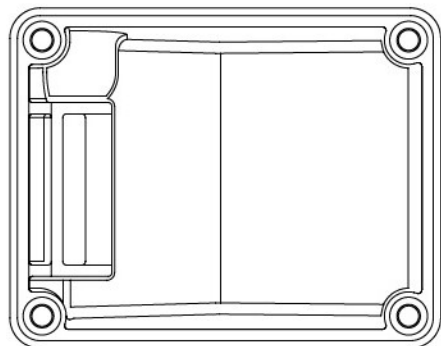
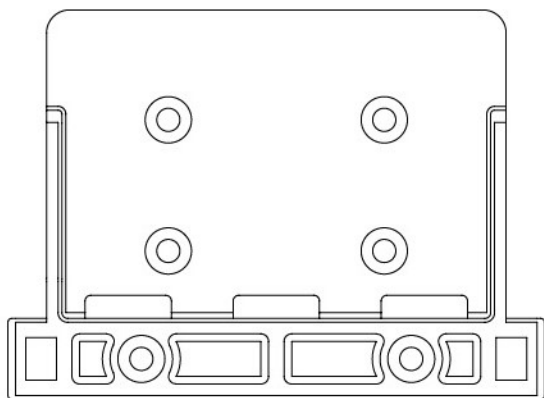
CMX Crossmember set
CMX 橫樑組
230019



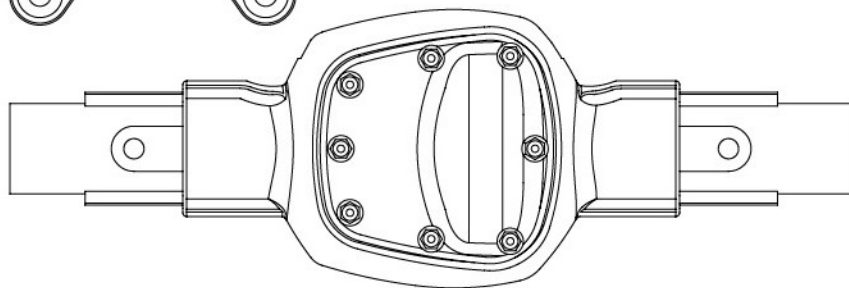
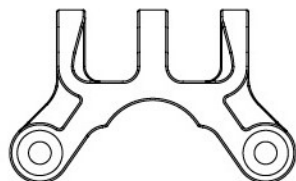
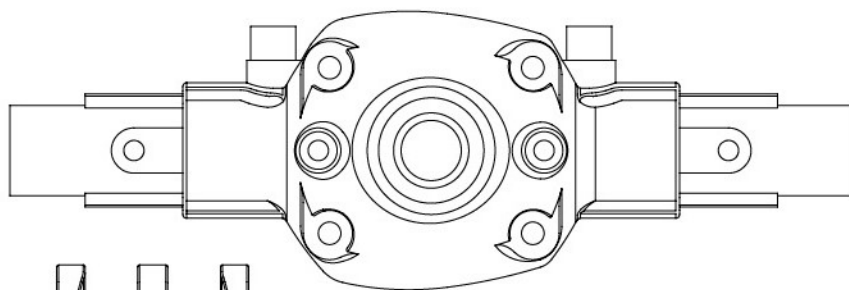
CMX Gear box chassis set
CMX 減速箱底盤組
230020



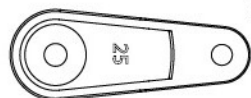
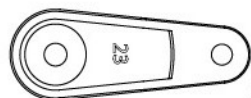
PARTS



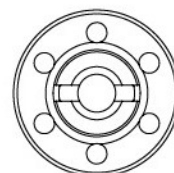
CMX Receiver case set
CMX 接收機盒組
230021



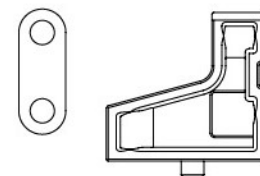
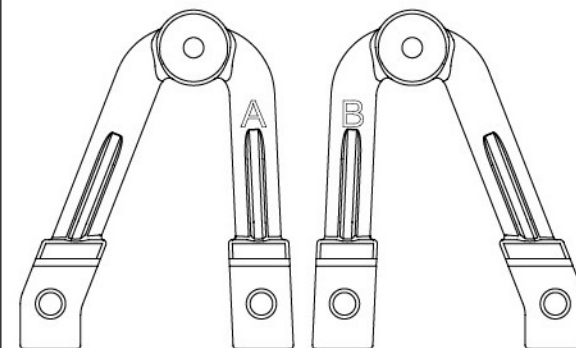
CMX Axle cover ×2
CMX 車軸殼
230022



Servo horn set (long) (23T/25T)
伺服機舵片組-長 (23T/25T)
210033

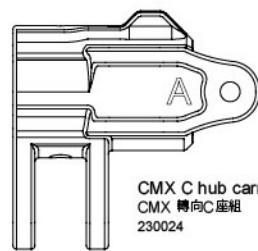
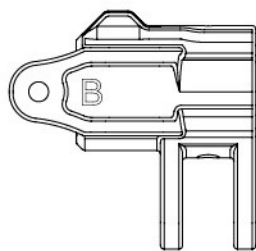
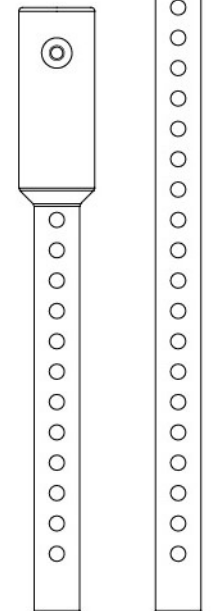
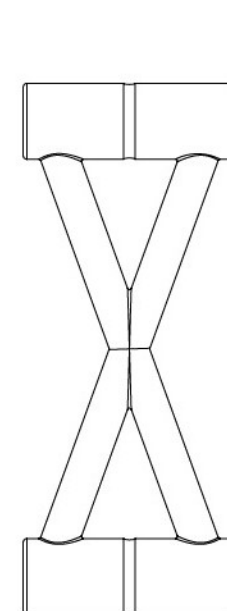


Spur gear holder
齒盤座
230034

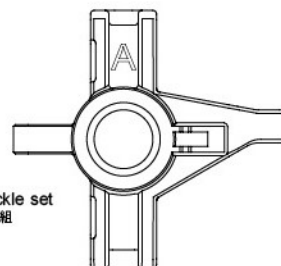
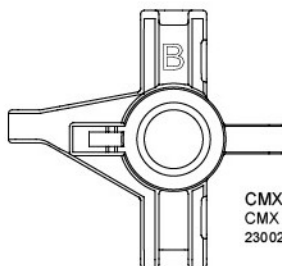


CMX Damper stay set ×2
CMX 避震架組
230023

CMX Car body post set ×2
CMX 車殼支柱組
230026

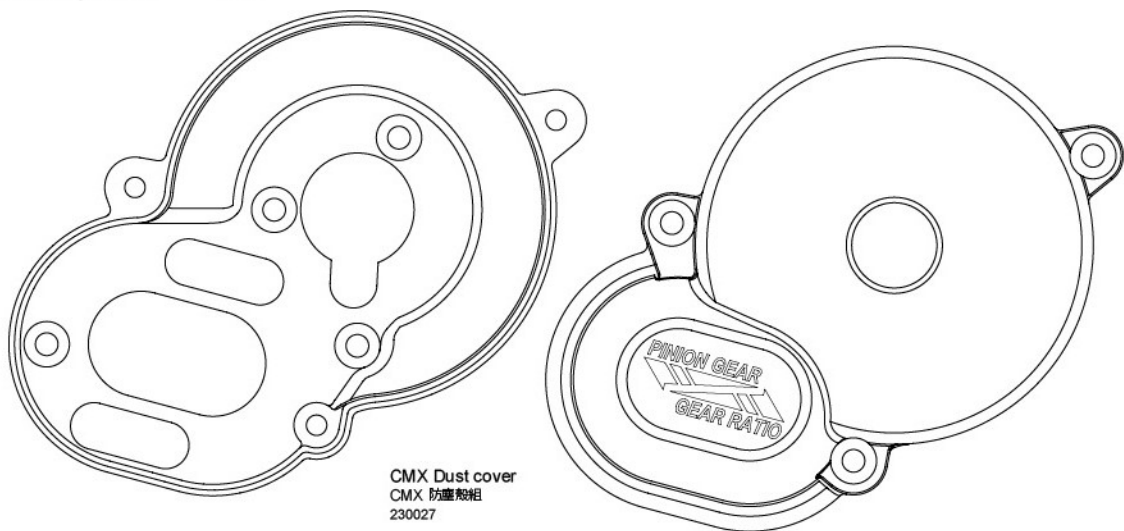


CMX C hub carrier set
CMX 轉向座組
230024



CMX Knuckle set
CMX 轉向座組
230025

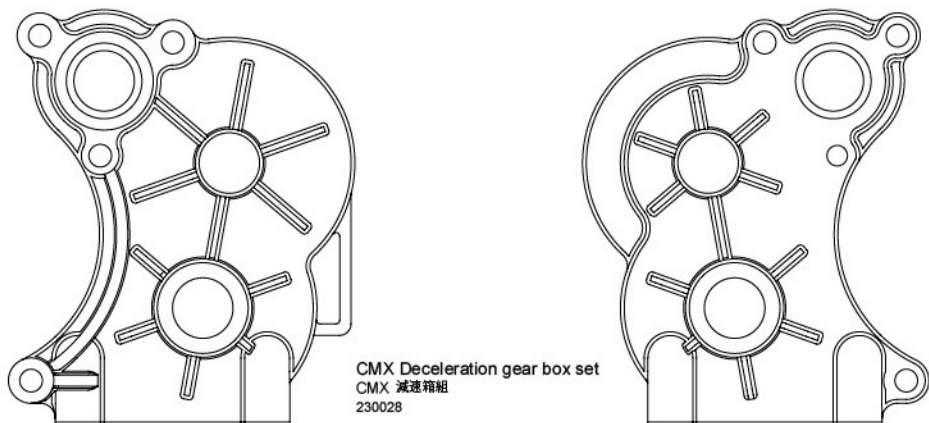
PARTS



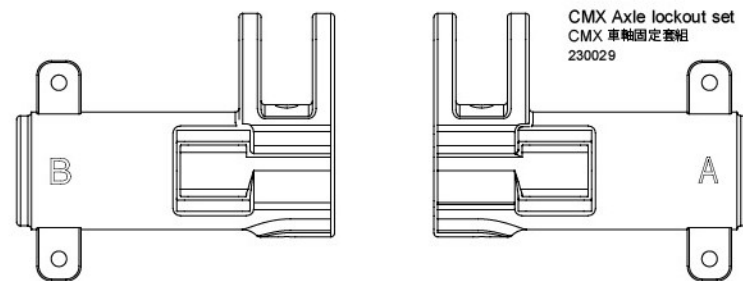
CMX Dust cover
CMX 防塵殼組
230027



KM Crawler tire 30×90-1.9"
(medium-40") ×4
KM 攀岩胎 30×90-1.9" (中-40")
101034



CMX Deceleration gear box set
CMX 減速箱組
230028

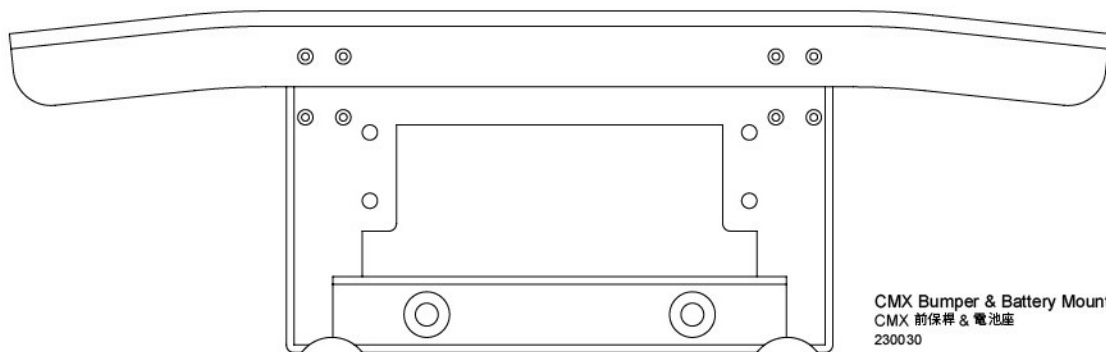


CMX Axle lockout set
CMX 車軸固定套組
230029

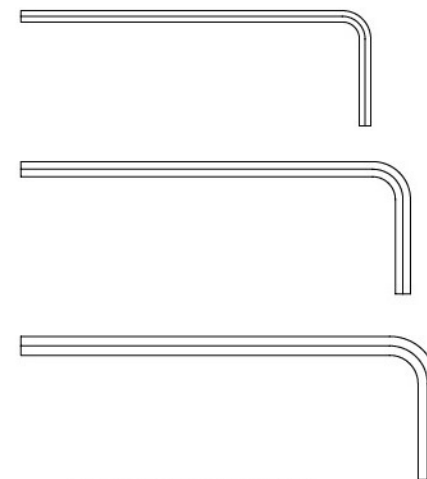
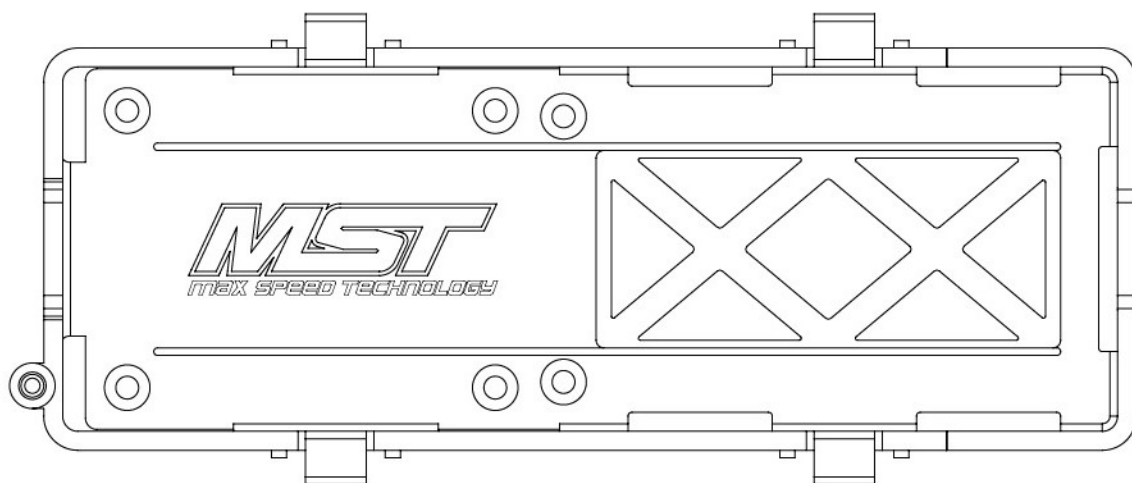


CMX Chassis rail ×2
CMX 大樑
310075

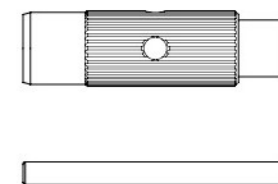
PARTS



CMX Bumper & Battery Mount
CMX 前保桿 & 電池座
230030



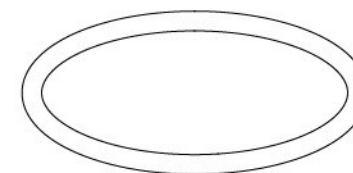
L Wrench set (1.5 & 2.0 & 2.5)
L 板手組 (1.5 & 2.0 & 2.5)
130035



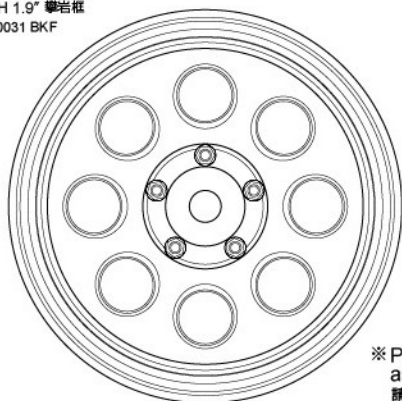
5.5 & 7.0 Alum. wrench (silver)
5.5 & 7.0 鋁合金套筒工具 (銀)
700003S



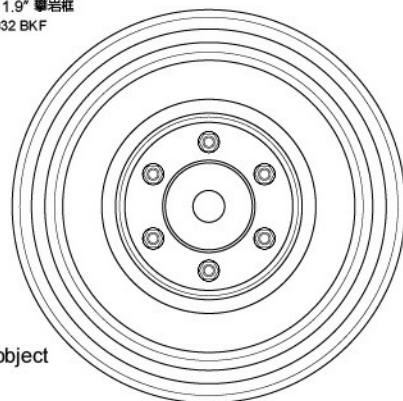
Battery O-ring (S) (2)
電池 O 環
130003



58H 1.9" Crawler wheel ×4
58H 1.9" 攀岩輪
230031 BKF

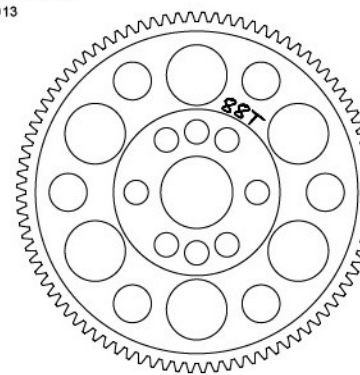


60D 1.9" Crawler wheel ×4
60D 1.9" 攀岩輪
230032 BKF

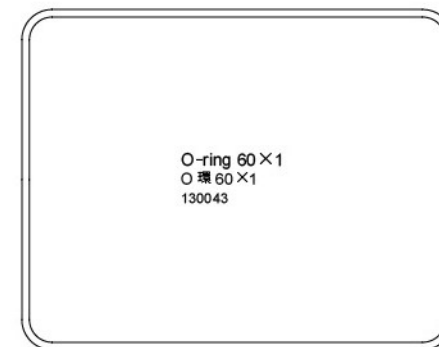


※ Please make the object
as the standard.
請以實物為主。

Spur gear 48P-88T
大直齒 48P-88T
210013



O-ring 60 × 1
O 環 60 × 1
130043



GEAR RATIO 齒比表

For 48P Spur Gear 88T

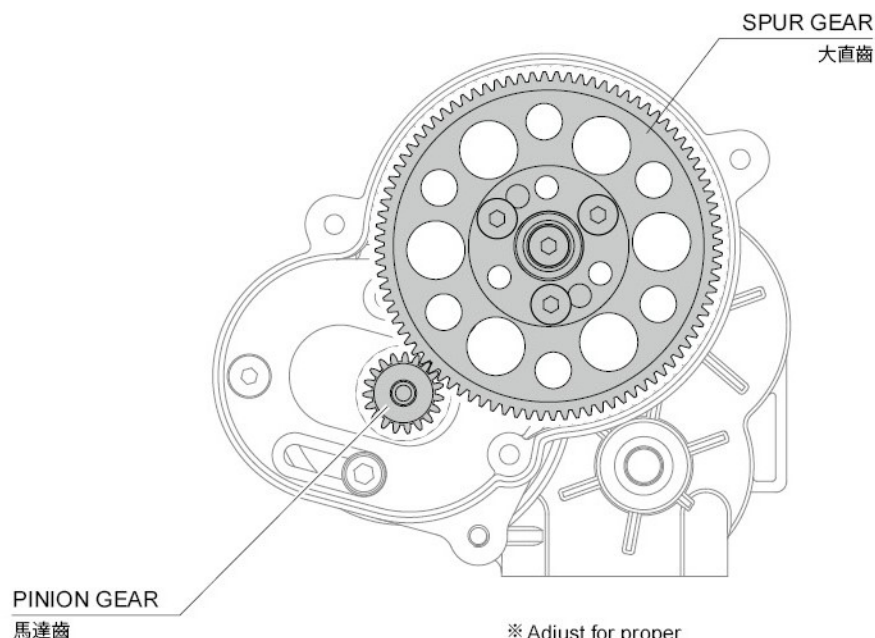
Pinion Gear 馬達齒	Spur Gear 88T
17	42.59
18	40.22
19	38.11
20	36.20
21	34.48
22	32.91
23	31.48
24	30.17
25	28.96
26	27.85
27	26.81
28	25.86
29	24.96
30	24.13
31	23.35
32	22.62
33	21.94
34	21.29
35	20.68
36	20.11
37	19.57
38	19.05

※ Please refer to MST office website for completed pinion specifications.

如須另購馬達齒，請上官網查詢！

[www.rc-mst.com]

※ Please set the gear ratio according to motor specifications, environments, and personal requirements.
齒比的選擇會因馬達規格、場地形態、車手手感，而有不同選擇。
可先參考當地配置後再選擇齒比！



PINION GEAR
馬達齒

※ Adjust for proper space.
請調整至適當齒隙。

※ **FORMULA**
計算公式

$$\left(\frac{\text{Spur gear teeth 大直齒}}{\text{Pinion gear teeth 馬達齒}} \times 8.229 \right) = \text{Gear ratio 終傳比}$$

PARTS CODE

101034	KM Crawler tire 30×90-1.9" (medium-40°) (2)	110052	Countersunk screw M3×10 (10)	130035	L Wrench set (1.5 & 2.0 & 2.5)	230028	CMX Deceleration gear box set
110001	Round head screw M3×6 (10)	110055	G-clip 10.0 (10)	130042	O-ring 3×1 (10)	230029	CMX Axle lockout set
110002	Round head screw M3×8 (10)	110061	Round head screw M3×14 (6)	130043	O-ring 60×1 (2)	230030	CMX Bumper & battery mount
110005	Countersunk screw M3×8 (10)	110073	Countersunk screw M3×16 (6)	210013	Spur gear 88T - 48P	230031	58H 1.9" Crawler wheel (4)
110009	Set screw M3×20 (6)	110084	Round head screw M2×10 (6)	210033	Servo horn set (long)(23T/25T)	230032	60D 1.9" Crawler wheel (4)
110011	Cap screw M3×6 (6)	110085	Round head screw M2×16 (6)	210057	Damper cap set	230033	CMX Heavy duty locker set
110013	E-clip 2.0 (10)	110086	Round head screw M3×16 (6)	210529	Coil spring 45mm (hard)(silver)(2)	230034	Spur gear holder
110015	Flange nut M4 (4)	110087	Round head screw M3×18 (6)	210530	Coil spring 45mm (medium)(gold)(2)	310065	Wheel axle (2)
110016	R-clip 6.0 (10)	110088	Round head screw M3×20 (6)	210531	Coil spring 45mm (soft)(red)(2)	310066	Bevel gear shaft
110017	Shaft 2×9.8 (10)	110089	Round head screw M3×30 (6)	230014	CMX deceleration gear set	310067	5×26.8 Shaft
110018	Shaft 2×13.8 (5)	110090	Shaft screw M4×4×12 (6)	230015	Damper parts (2)	310068	Gear shaft
110021	Lock nut M3 (5)	110091	Cap screw M3×40 (6)	230016	CMX Ball connector set	310069	Main gear shaft
110023	Set screw M3×16 (6)	110092	King pin screw (4)	230017	CMX Link set	310070	CVA Axle (2)
110026	Round head screw M3×10 (10)	110093	Nut M3 (5)	230018	CMX Driveshaft	310071	Solid axle
110035	Set screw M3×3 (6)	120021	Bearing 5×10×4 (4)	230019	CMX Cross member set	310072	Piston rod (4)
110037	E-clip 4.0 (10)	120022	Bearing 8×12×3.5 (4)	230020	CMX Gear box chassis set	310073	Bevel gear set 36-15
110041	Countersunk screw M3×5 (10)	120023	Bearing 10×15×4 (4)	230021	CMX Receiver case set	310074BN	CMX Motor mount
110044	Round head screw M2×6 (6)	130001	Damper O-ring P3 (red) (10)	230022	CMX Axle cover	310075	CMX Chassis rail (2)
110047	Spacer 3×6×0.5 (8)	130008	Black grease	230023	CMX Damper stay set	600002	XTR-02 2.4G Transceiver set
110048	Spacer 3×8×0.5 (8)	130017	Inner sponge (8)	230024	CMX C hub carrier set	601015	XB40 Brushed ESC
110049	Round head screw M3×5 (10)	130023	O-ring P3 (black) (10)	230025	CMX Knuckle set	700003S	5.5 & 7.0 Alum. wrench (silver)
110050	Round head screw M2×5 (6)	130032	Damper cap O-ring (10)	230026	CMX Car body post set	820020	Spacer 5×7×0.3 (8)
		130034	Sponge 20×80×1 (4)	230027	CMX Dust cover		

部品編號

101034	KM 攀岩胎 30×90-1.9" (中-40°) (2)	110055	G扣 10.0 (10)	130042	O環 3×1 (10)	230029	CMX 車軸固定套組
110001	六角半圓頭螺絲 M3×6 (10)	110061	六角半圓頭螺絲 M3×14 (6)	130043	O環 60×1 (2)	230030	CMX 前保桿 & 電池座
110002	六角半圓頭螺絲 M3×8 (10)	110073	六角沉頭螺絲 M3×16 (6)	210013	大齒盤 88T - 48P	230031	58H 1.9" 攀岩框 (4)
110005	六角沉頭螺絲 M3×8 (10)	110084	六角半圓頭螺絲 M2×10 (6)	210033	伺服機舵片組-長 (23T/25T)	230032	60D 1.9" 攀岩框 (4)
110009	六角止付螺絲 M3×20 (6)	110085	六角半圓頭螺絲 M2×16 (6)	210057	避震器上下蓋組	230033	CMX 直軸連接座組
110011	六角有頭螺絲 M3×6 (半牙) (6)	110086	六角半圓頭螺絲 M3×16 (6)	210529	避震彈簧 45mm (硬)(銀)(2)	230034	齒盤座
110013	E扣 2.0 (10)	110087	六角半圓頭螺絲 M3×18 (6)	210530	避震彈簧 45mm (中)(金)(2)	310065	萬向接杯 (2)
110015	凸緣螺帽 M4 (4)	110088	六角半圓頭螺絲 M3×20 (6)	210531	避震彈簧 45mm (軟)(紅)(2)	310066	傘齒軸
110016	R銷 6.0 (10)	110089	六角半圓頭螺絲 M3×30 (6)	230014	CMX 減速齒組	310067	5×26.8 齒軸
110017	插銷 2×9.8 (10)	110090	銷釘螺絲 M4×4×12 (6)	230015	避震膠件組 (2)	310068	輸出軸
110018	插銷 2×13.8 (5)	110091	六角有頭螺絲 M3×40 (半牙) (6)	230016	CMX 球頭組	310069	主齒軸
110021	防鬆螺帽 M3 (5)	110092	大王螺絲 (4)	230017	CMX 拉桿組	310070	CVA 輪軸 (2)
110023	六角止付螺絲 M3×16 (6)	110093	螺帽 M3 (5)	230018	CMX 傳動軸	310071	直軸輪軸
110026	六角半圓頭螺絲 M3×10 (10)	120021	軸承 5×10×4 (4)	230019	CMX 橫樑組	310072	避震軸心 (4)
110035	六角止付螺絲 M3×3 (6)	120022	軸承 8×12×3.5 (4)	230020	CMX 減速箱底盤組	310073	齒輪組 36-15
110037	E扣 4.0 (10)	120023	軸承 10×15×4 (4)	230021	CMX 接收機盒組	310074BN	CMX 馬達座 (棕)
110041	六角沉頭螺絲 M3×5 (10)	130001	阻尼器O環 P3 (紅) (10)	230022	CMX 車軸殼	310075	CMX 大樑 (2)
110044	六角半圓頭螺絲 M2×6 (6)	130008	黑色油膏	230023	CMX 避震架組	600002	XTR-02 2.4G 遙控器組
110047	墊片 3×6×0.5 (8)	130017	吸震泡棉 (8)	230024	CMX 轉向C座組	601015	XB40 有刷電變
110048	墊片 3×8×0.5 (8)	130023	O環 P3 (黑) (10)	230025	CMX 轉向座組	700003S	5.5 & 7.0 鋁合金套筒工具 (銀)
110049	六角半圓頭螺絲 M3×5 (10)	130032	避震上蓋O環 (10)	230026	CMX 車殼支柱組	820020	墊片 5×7×0.3 (8)
110050	六角半圓頭螺絲 M2×5 (6)	130034	吸震泡棉 20×80×1 (4)	230027	CMX 防塵殼組		
110052	六角沉頭螺絲 M3×10 (10)	130035	L 板手組 (1.5 & 2.0 & 2.5)	230028	CMX 減速箱組		

MST

MAX SPEED TECHNOLOGY



WWW.RC-MST.COM
[facebook.com/MST.tw]



Max Speed Technology



PRINTED WITH
SOY INK